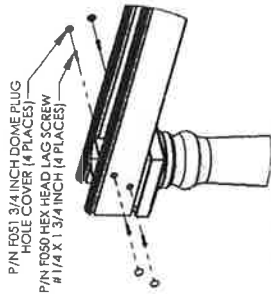


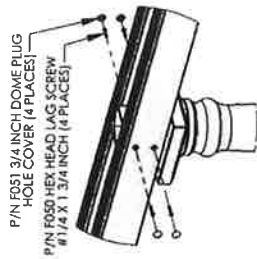
QTY.	PART NO.	DESCRIPTION
3	PP COLUMN	COLUMN ASSEMBLY
2	HORPG PC2	HEADER BEAM
2	TRKPG PC-PE-PS	PROJECTION BEAM DRESS
7	TRKPG PC-PE-PM-TL2	PROJECTION BEAM
5	CANOPY	CANOPY ASSEMBLY
1	CARE KIT	CUSTOMER CARE KIT WITH SKYHOOK

PERGOLA DELUXE ASSEMBLY DETAILS
SHEET 1 OF 2



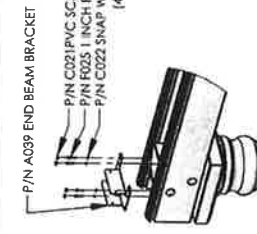
P/N F051 3/4 INCH DOME PLUG HOLE COVER (4 PLACES)
P/N F050 1/2 INCH HEX HEAD LAG SCREW #1/4 X 1 3/4 INCH (4 PLACES)

CORNER HEADER DETAIL



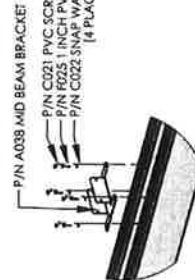
P/N F051 3/4 INCH DOME PLUG HOLE COVER (4 PLACES)
P/N F050 1/2 INCH HEX HEAD LAG SCREW #1/4 X 1 3/4 INCH (4 PLACES)

MID COLUMN HEADER DETAIL



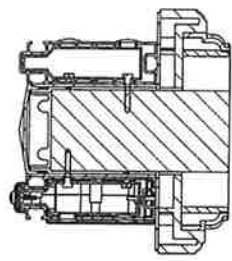
P/N A039 END BEAM BRACKET
P/N C021 PVC SCREW CAP
P/N F025 1 INCH PVC BEAM TEK SCREW (4 PLACES)
P/N C022 SNAP WASHER FOR SCREW CAP

END BEAM BRACKET DETAIL

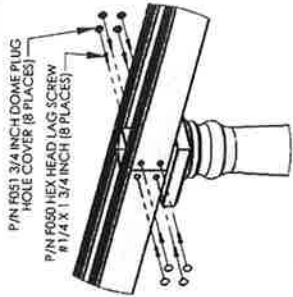


P/N A038 MID BEAM BRACKET
P/N C021 PVC SCREW CAP
P/N F025 1 INCH PVC BEAM TEK SCREW (4 PLACES)
P/N C022 SNAP WASHER FOR SCREW CAP

MID BEAM BRACKET DETAIL

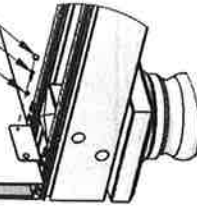


HEADER SECTION VIEW(TYPICAL)



MID COLUMN SPLIT HEADER DETAIL

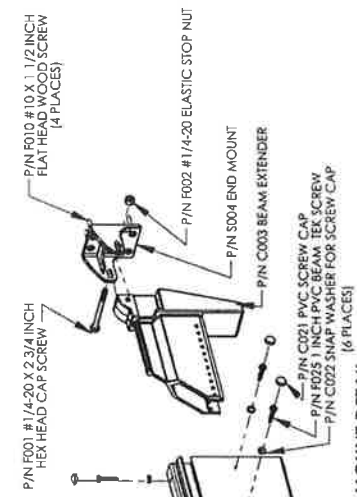
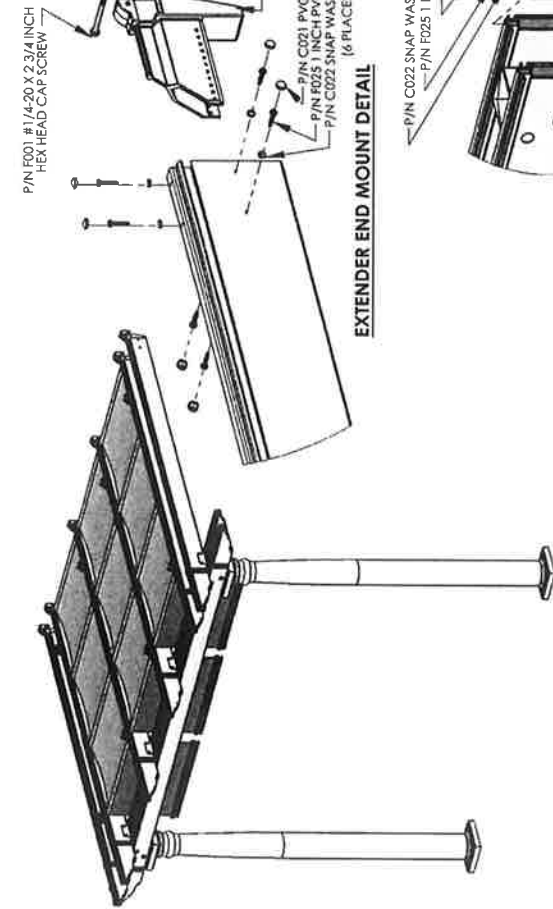
P/N C021 PVC SCREW CAP
P/N F025 1 INCH PVC BEAM TEK SCREW (4 PLACES - 2 FRONT/2 REAR)
P/N C022 SNAP WASHER FOR SCREW CAP



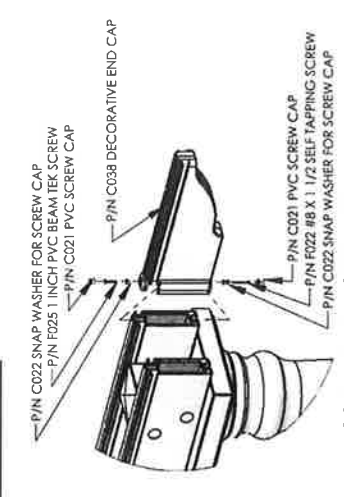
END BEAM DETAIL



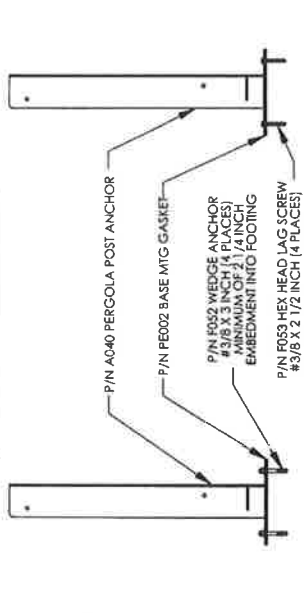
MID BEAM DETAIL



EXTENDER END MOUNT DETAIL

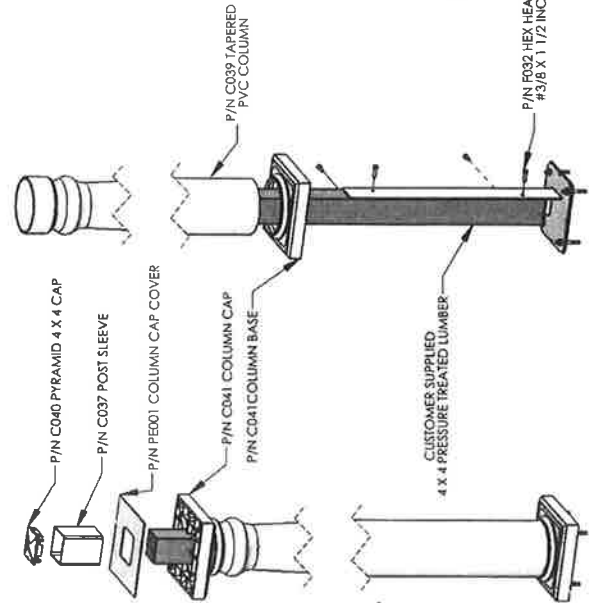


DECORATIVE END CAP DETAIL

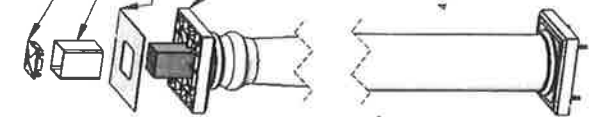


COLUMN POST ANCHOR MOUNTING

WOOD MOUNTING
CONCRETE MOUNTING



COLUMN BASE ASSEMBLY



COLUMN CAP ASSEMBLY

P/N C039 TAPERED PVC COLUMN
P/N C041 COLUMN BASE
P/N C040 PYRAMID 4 X 4 CAP
P/N C037 POST SLEEVE
P/N FED01 COLUMN CAP COVER
CUSTOMER SUPPLIED 4 X 4 PRESSURE TREATED LUMBER
P/N F032 HEX HEAD LAG SCREW #3/8 X 1 1/2 INCH (4 PLACES)

COLUMN POST ANCHOR MOUNTING

WOOD MOUNTING
CONCRETE MOUNTING

P/N A040 PERGOLA POST ANCHOR
P/N FED02 BASE MTC GASKET
P/N F032 WEDGE ANCHOR #3/8 X 3 INCH (4 PLACES) MINIMUM OF 2 1/4 INCH EMBEDMENT INTO FOOTING
P/N F053 HEX HEAD LAG SCREW #3/8 X 2 1/2 INCH (4 PLACES)

COLUMN POST ANCHOR MOUNTING