



Assembly Instructions ShadeTree® Canopy Systems

A wood support constructed with a ShadeTree Bracket System.

Garden Getaway



Dear Customer:

Thank you for purchasing our **ShadeTree® Canopy System**. We trust these assembly instructions will be satisfactory for your installation. If you have any questions, please feel free to call 1-800-894-3801.

And here's a special offer we'd like to make to you: Send us a photo of your new ShadeTree® installation and we will send you **\$50** if we use your photo in our advertising materials. Before and after pictures will receive an additional \$50. A deck or patio that is nicely furnished helps us communicate to prospective customers how nice a ShadeTree® patio can be.

We hope you enjoy your new ShadeTree® patio canopies.

Sincerely,

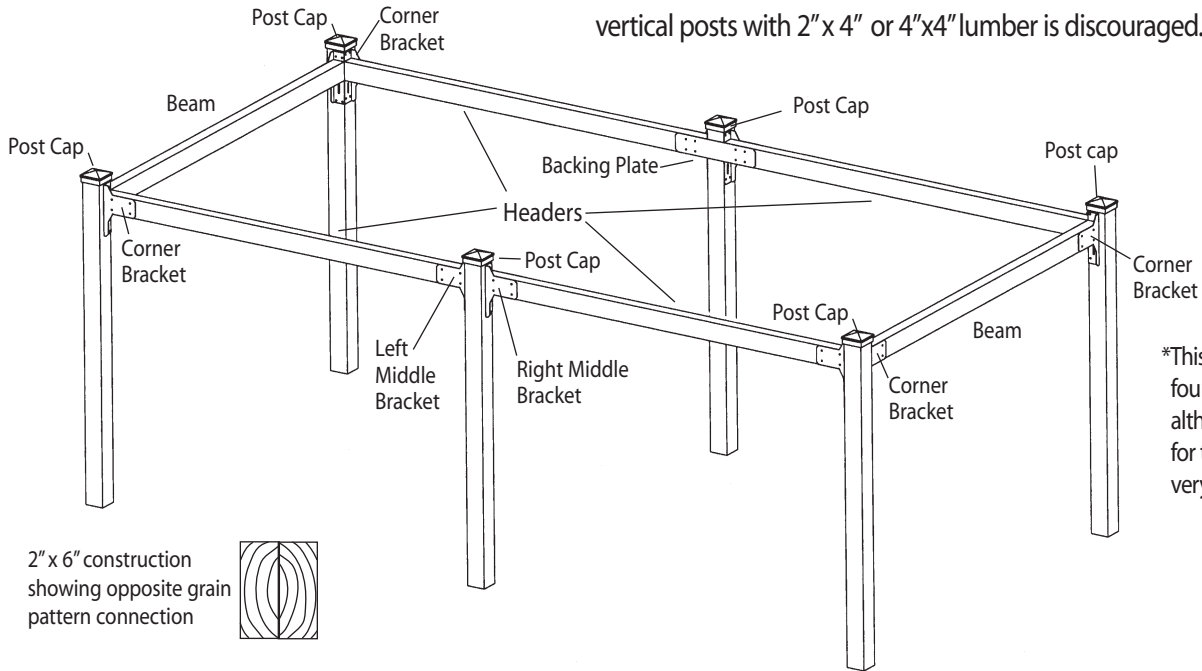
Colin LeVeque, President
ShadeTree Cool Living, LLC.



Garden Get-Away

a **wood** frame assembled with bracket system

These instructions assume the double sided tracks will be attached to the inner sides of 4"x6" wood **headers** that are supported by a wood frame constructed on site. You can also use two 2" x 6" beams screwed together with the grain pattern running opposite direction to avoid more chance of a twist and/or warping. Construction of beams and vertical posts with 2" x 4" or 4" x 4" lumber is discouraged.



*This design is for four canopies, although the design for three canopies is very similar.

Lumber required for standard Garden-Get-Away kits:

Lumber should be cut to length. All cuts are for 12' projection

Kit # 1 - 12' X 10' 8" (for 2 canopies)

- Qty. 4 - 6" X 6" X 8' or 10' wood posts
- Qty. 2 - 4" X 6" X 12' wood beams
- Qty. 2 - 4" X 6" X 12' wood headers. Cut length on header is 11'.
- *Optional: 2" X 6" X 12' can be substituted for 4" x 6" X 12' wood beams and headers, but quantities must be doubled.

Kit # 2 - 12' X 16' (for three canopies)

- Qty. 6 - 6" X 6" X 8' or 10' wood posts
- Qty. 2 - 4" X 6" X 12' wood beams
- Qty. 4 - 4" X 6" X 8' wood headers. Cut length on header is 7' 11-1/4"
- *Optional: 2" X 6" X 8' or 12' can be substituted for wood beams and headers, but quantities must be doubled.

Kit # 3 - 12' X 21' 4" (for four canopies)

- Qty. 6 - 6" X 6" X 8' or 10' wood posts
- Qty. 6 - 4" X 6" X 12' wood beams and headers. Cut length on header is 10' 7-1/4"
- *Optional: 2" X 6" X 12' can be substituted for wood beams and headers, but quantities must be doubled.

All Bracket Kits are shipped with the following kits and parts included. This chart is intended as a check-off list only.

Parts for Garden Get-Away Support System (to support the Forester overhead canopies & tracks)	
	Quantity
Kit #1 - 12' x 10' 8"	
Corner Brackets	4
Post Caps	4
Bolts & Washers	88
Kit #2 - 12' x 16'	
Corner Brackets	4
Right Middle Bracket	2
Left Middle Bracket	2
Backing Plate	2
Post Caps	6
Bolts & Washers	148
Kit #3 - 12' x 21' 4"	
Corner Brackets	4
Right Middle Bracket	2
Left Middle Bracket	2
Backing Plate	2
Post Caps	6
Bolts & Washers	148

Tools required:

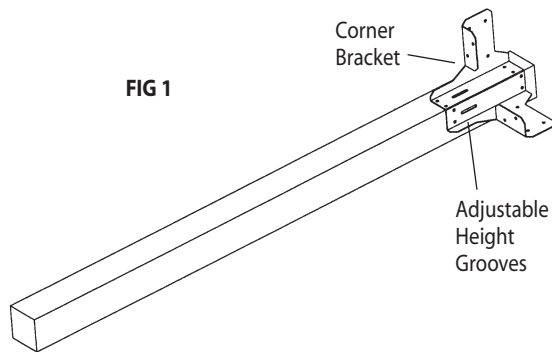
- | | |
|------------------------------------|---|
| 1. 3/8" Power Drill | 5. 3" deck screws |
| 2. 5/16" diameter drill bit | 6. #2 Phillips screw bit |
| 3. Socket Driver with 9/16" socket | 7. 4 pieces of scrap lumber at least 4' long each |

4. Bubble-type level

Two people can assemble the structure.

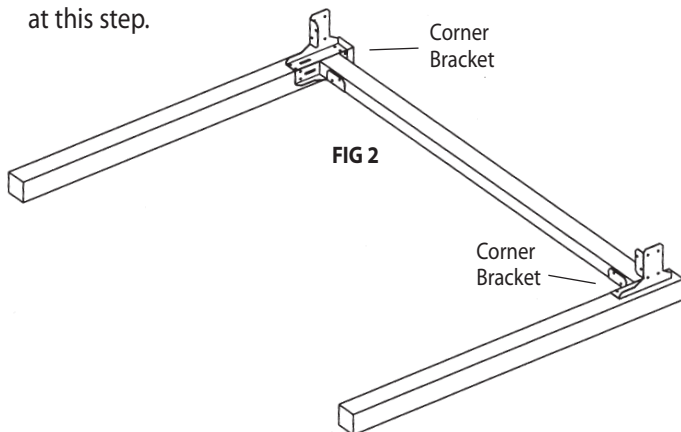
Step 1 Assemble Corner Posts

Place *Corner Bracket* on 6" x 6" lumber at least 1 1/2" down from the top of the post. (To allow room for the post caps) Drill (2) 5/16" holes in the adjustable height grooves. Temporarily secure the *Bracket* to the 6" x 6" post with the (2) 3/8" x 3" bolts and washers. Repeat this procedure with the 4 corner posts.



Step 2 Connect Two Corner Posts and Projection Beam

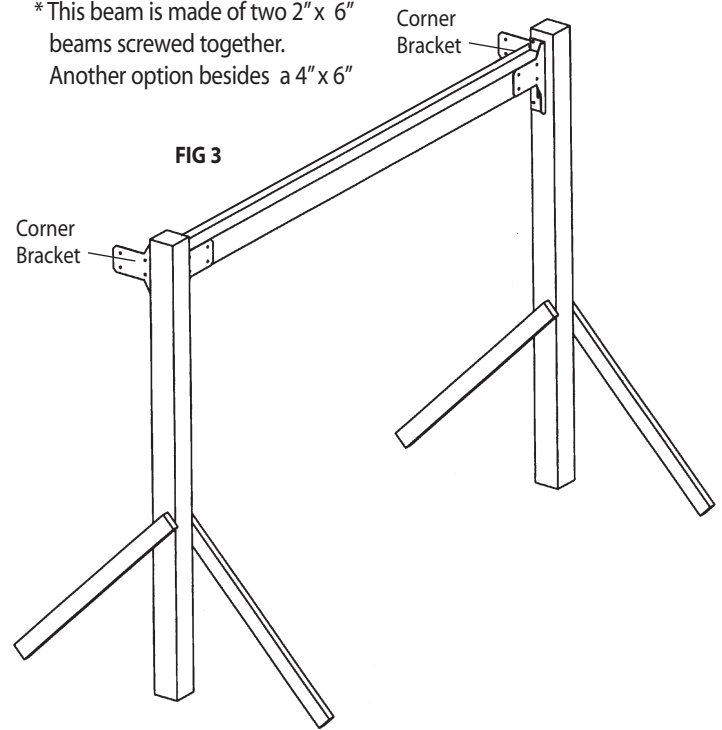
Lay 2 corner post assemblies on the ground 12' apart. Place the 4" x 6" projection beam into the *Brackets*. Drill (2) 5/16" holes in the underside of each *Bracket* (A). Secure the 4" x 6" projection beam to both *Corner Brackets* with (2) 3/8" bolts and washers. If you are attaching your Garden Get-Away to a house and you have a middle post, attach a corner bracket and a corner bracket at this step.



Step 3 Stand and Secure the Corner Post Assembly

Stand the assembly upright. Stabilize the assembly temporarily by screwing 3" deck screws into 4' or greater scrap lumber as illustrated in Figure 3. Level the 4" x 6" projection beam by adjusting the *Corner Brackets* up or down. Secure the 4" x 6" beam and the 6" x 6" posts to the *Brackets* by drilling all remaining 5/16" holes and inserting the 3/8" bolts and washers.

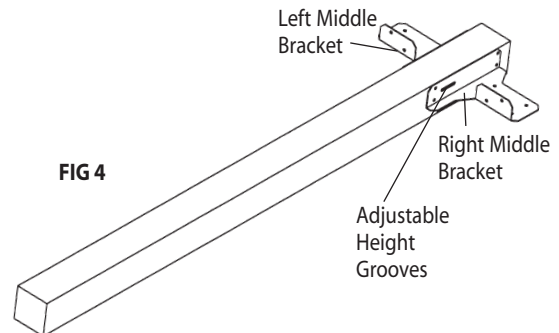
* This beam is made of two 2" x 6" beams screwed together. Another option besides a 4" x 6"



Step 4 Assemble Center Posts

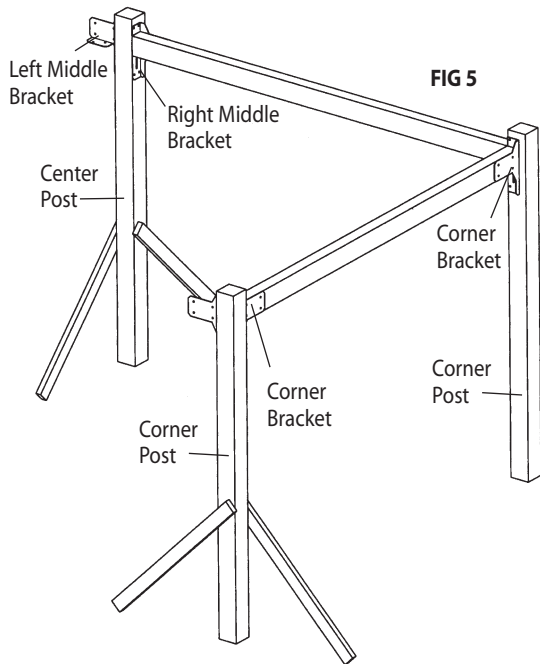
Place the *Left and Right Middle Brackets* on the 6" x 6" lumber at least 1 1/2" down from the top of the post. Drill (2) 5/16" holes in the adjustable height grooves. Temporarily secure the *Brackets* to the 6" x 6" posts with the 3/8" bolts and washers. Repeat this procedure with the second center post.

Note: 2-section Garden Get-Aways do not require a center post.



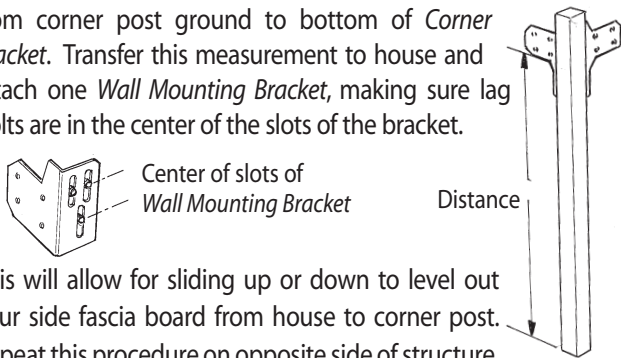
Step 5 Connect First Center Post to Corner Posts

Place the 4" x 6" header beam into the *Brackets*, connecting the corner post to the middle post. Level the 4" x 6" header beam. Secure the 4" x 6" beam and the 6" x 6" post to the *Brackets* by drilling all remaining 5/16" holes and inserting the 3/8" bolts and washers. Move the bracing from the corner post to the middle post as seen in figure 5.

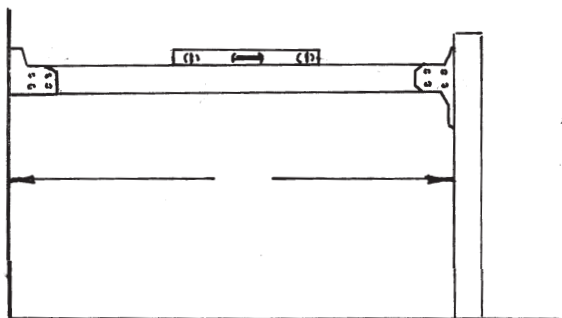


Step 5b If you are attaching to a house ...

When mounting to house, brackets must be attached to **well-secured** wood, brick or stone. Measure up from corner post ground to bottom of *Corner Bracket*. Transfer this measurement to house and attach one *Wall Mounting Bracket*, making sure lag bolts are in the center of the slots of the bracket.

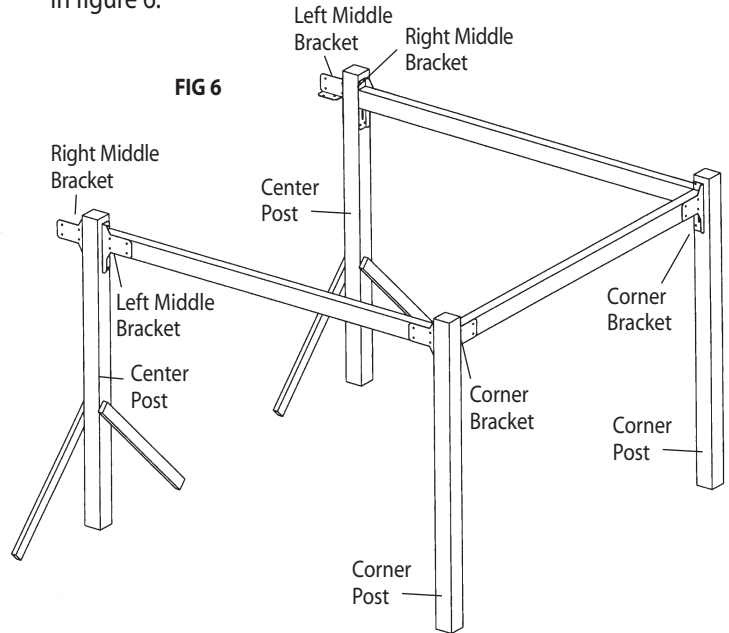


This will allow for sliding up or down to level out your side fascia board from house to corner post. Repeat this procedure on opposite side of structure.



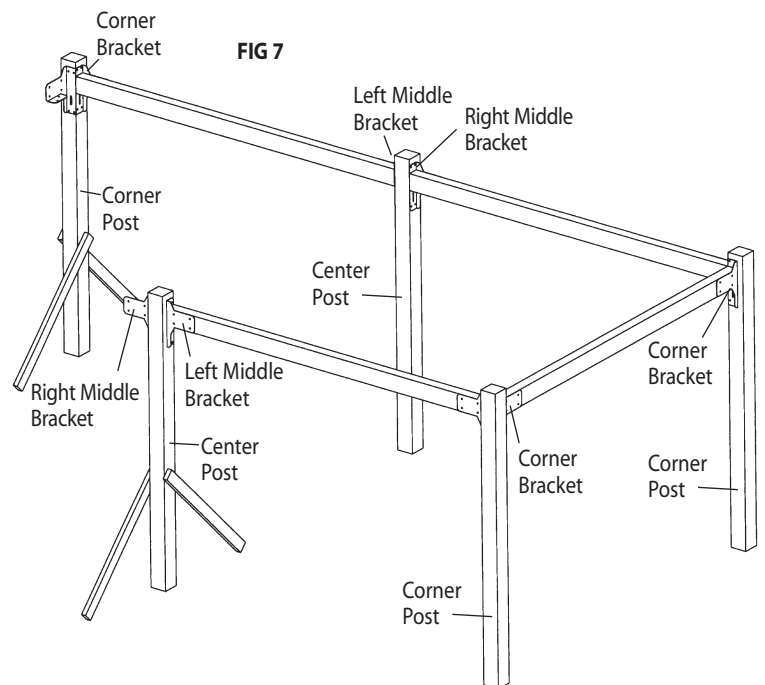
Step 6 Connect Second Center Post to Corner Posts

Repeat Step 5 on the opposite side of the structure. Move the bracing from the corner post to the middle post as seen in figure 6.



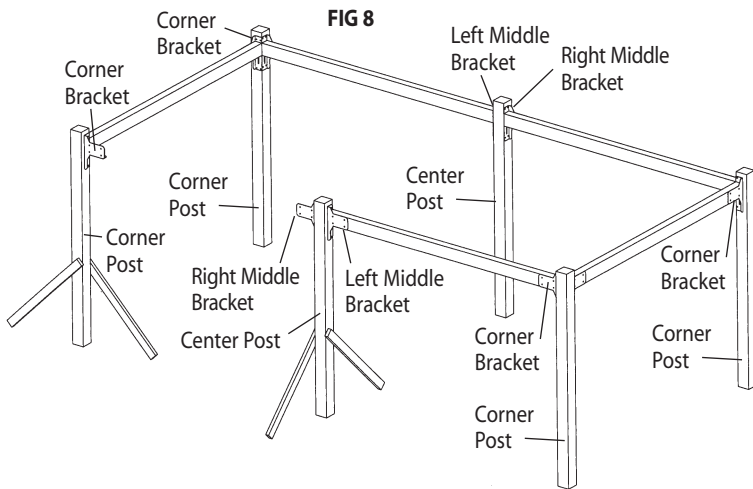
Step 7 Connect Third Corner Post to Assembly

Set the next corner post upright. Place the 4" x 6" header beam into the *Brackets*, connecting the middle post to the corner post. Level the 4" x 6" header beam. Secure the 4" x 6" beam and the 6" x 6" post to the *Brackets* by drilling the remaining 5/16" holes and inserting the 3/8" bolts and washers. Move the bracing from the middle post to the corner post.



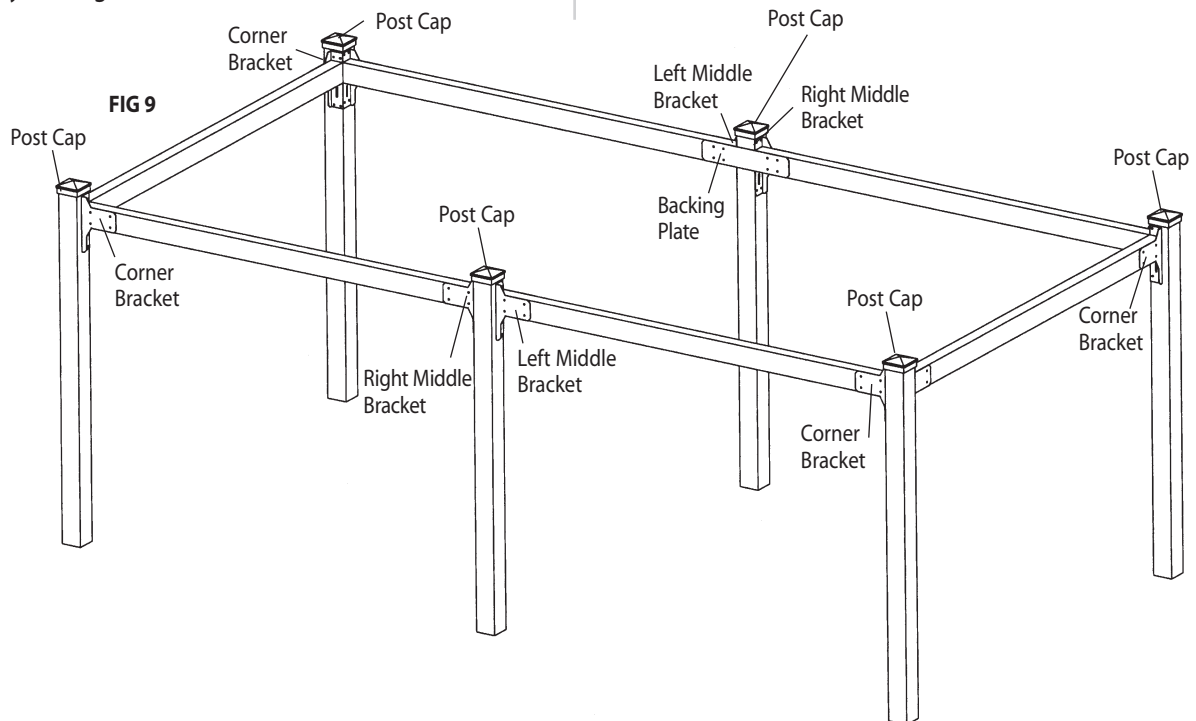
Step 8 Connect the Last Corner Post to Assembly

Set the last corner post upright. Place the final 4" x 6" projection beam into the Brackets, connecting the two 6" x 6" corner posts. Secure the 4" x 6" beam and the 6" x 6" posts to the Brackets by drilling all remaining 5/16" holes and inserting the 3/8" bolts and washers. Move the bracing from the corner post to the opposite corner post.



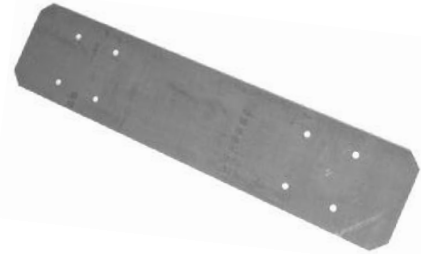
Step 9 Attach Final Header Beam

Move the last 4" x 6" header beam into place. Level the 4" x 6" header beam. Secure the 4" x 6" beam and the 6" x 6" posts to the Brackets by drilling the remaining 5/16" holes and inserting the 3/8" bolts and washers. Remove all temporary bracing.



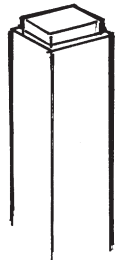
Step 10 Attach Backing Plate

Center the Backing Plate on the inside of the center post. Drill all 5/16" holes and secure with the 3/8" bolts and washers. Repeat this with the other center post.



Step 11 Install Post Caps

Place Post Caps on the top of the 6" x 6" (5-1/2" x 5-1/2" actual) posts. If caps are to be installed on true 6" x 6" posts, a router can be used to rout around the top of the post to cut down top part of post to 5-1/2" x 5-1/2".



Step 12 Install Canopies

Install ShadeTree® Canopies per additional instructions provided.

Parts for ShadeTree® Garden Getaway



Corner Bracket

This fitting connects header beam and projection beam to corner post.
part no. A030

Post Cap

Decorative cap for top of 6" x 6" posts.
part no. A035



Left and Right Middle Brackets

These fittings connect the header beams to the center posts.
part no. A032 (right)
A031 (left)

Backing Plate

Secures the two header beams that connect at the center post(s).
part no. A033



Left and Right Wall Mount Brackets

These fittings connect the projection beams to the house/building wall.
part no. A036 (right)
A037 (left)

Here's a chance to earn **\$50!**

We regularly use pictures in our advertising materials. If you send us reproducible pictures of your new ShadeTree® canopy installation, and we use them in any of our advertising, we will send you \$50. Interesting before-and-after pictures will receive an additional \$50. Of course, attractive landscaping and patio furniture will be a factor in selecting pictures to be used. Architects, builders and installers will receive credit mentions in the advertising.