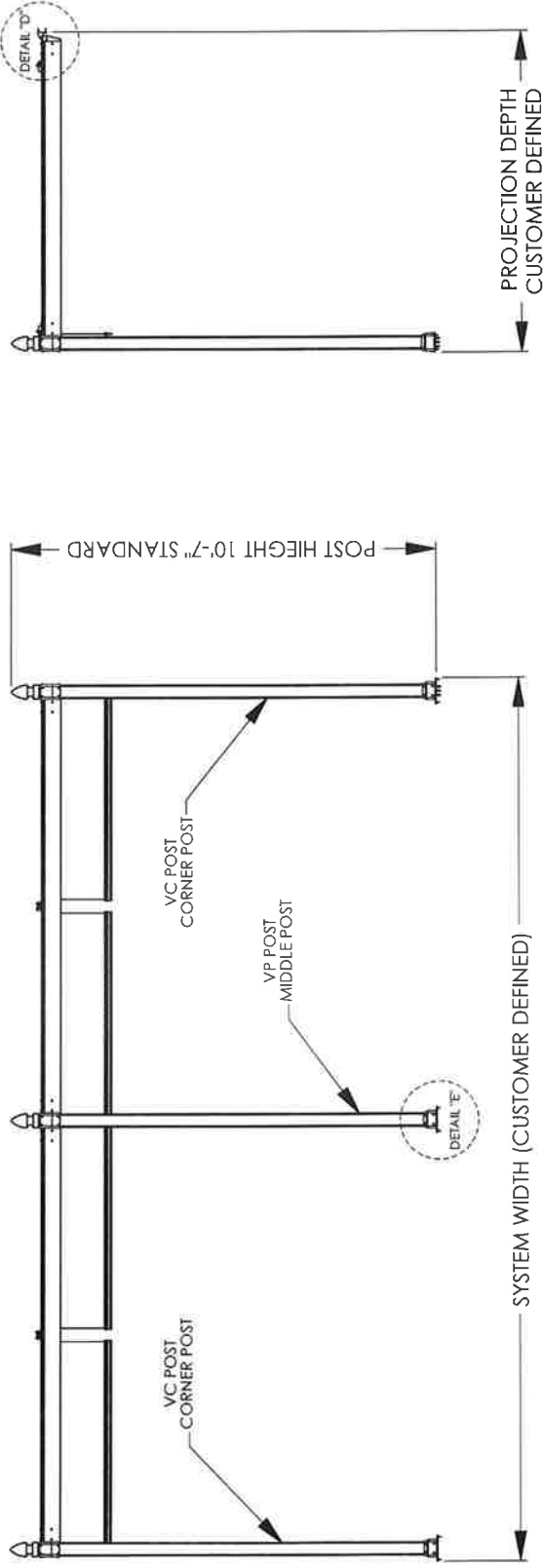


QTY.	PART NO.	DESCRIPTION
2	VC POST	CORNER POST W/CAP & BASE
1	VP POST	MIDDLE POST W/CAP & BASE
3	VE PROJECTION	PROJECTION BEAM WITH EXT
2	HDR	HEADER
2	VM-VE PROJ	PROJECTION BEAM WITH MID BEAM & EXT
4	CANOPY	CANOPY ASSEMBLY
1	CARE KIT	CUSTOMER CARE KIT WITH SKYHOOK

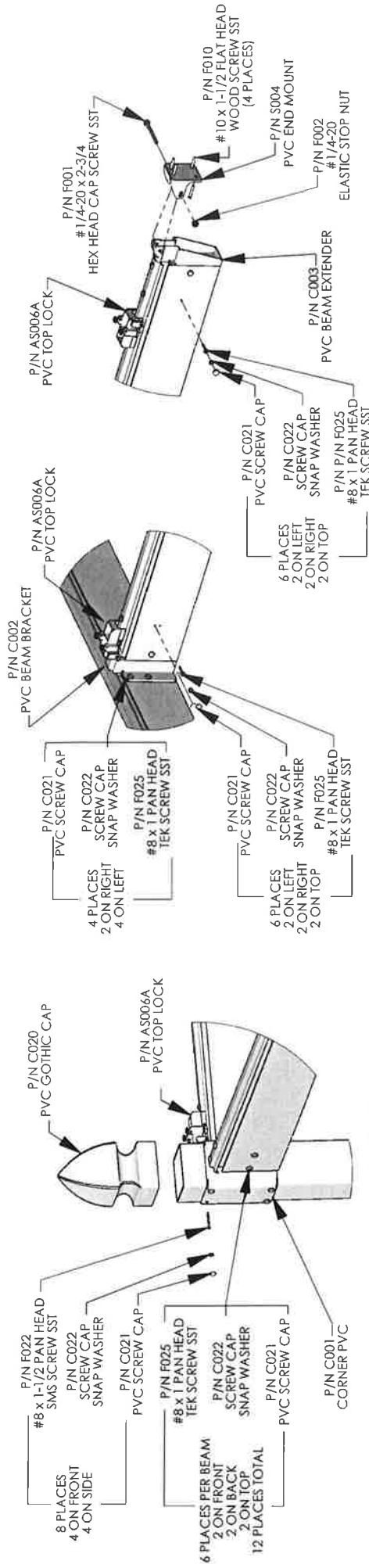


ShadeTree

Retractable Deck & Patio Canopies
 6317 Bucsh Blvd - Columbus Ohio 43229
 Phone: 614-444-5790 Fax: 614-444-5791
 Corporate Email: sales@shadetree.com
 Design Hotline: 1-888-307-4233

GREENBRIAR & SHADE RETREAT ASSEMBLY DETAILS

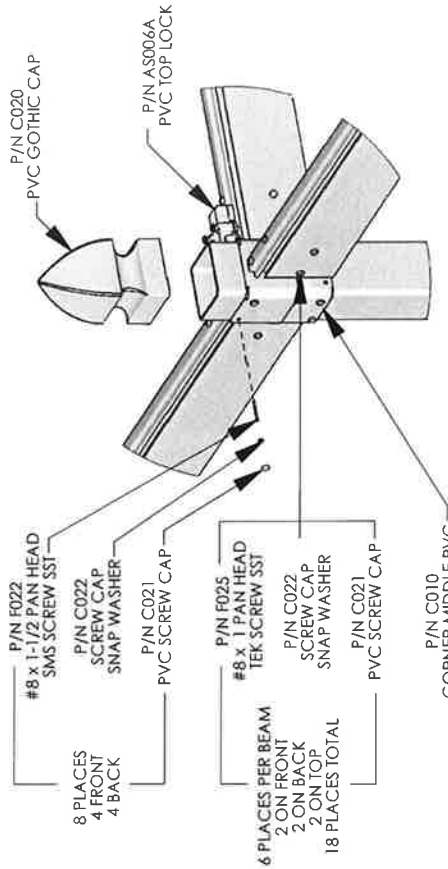
SHEET 1 OF 2



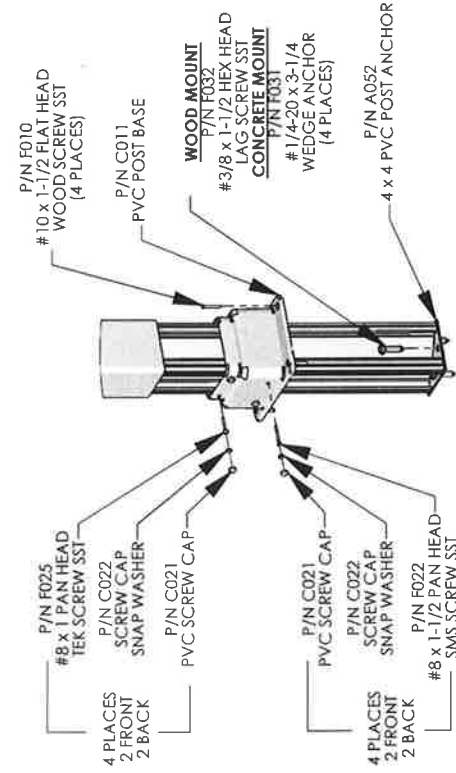
DETAIL "A"
CORNER POST ASSY

DETAIL "C"
MID-BEAM ASSY

DETAIL "D"
EXTENDER END MOUNT ASSY



DETAIL "B"
MIDDLE POST ASSY



DETAIL "E"
POST BASE ASSY

ShadeTree

Retractable Deck & Patio Canopies
 6317 Buchs Blvd., Columbus, Ohio 43229
 Phone: 614-891-5971 Fax: 614-891-5971
 Corporate Email: info@shadecanopies.com
 Design Hotline: 1-888-307-4233

GREENBRIAR & SHADE RETREAT ASSEMBLY DETAILS