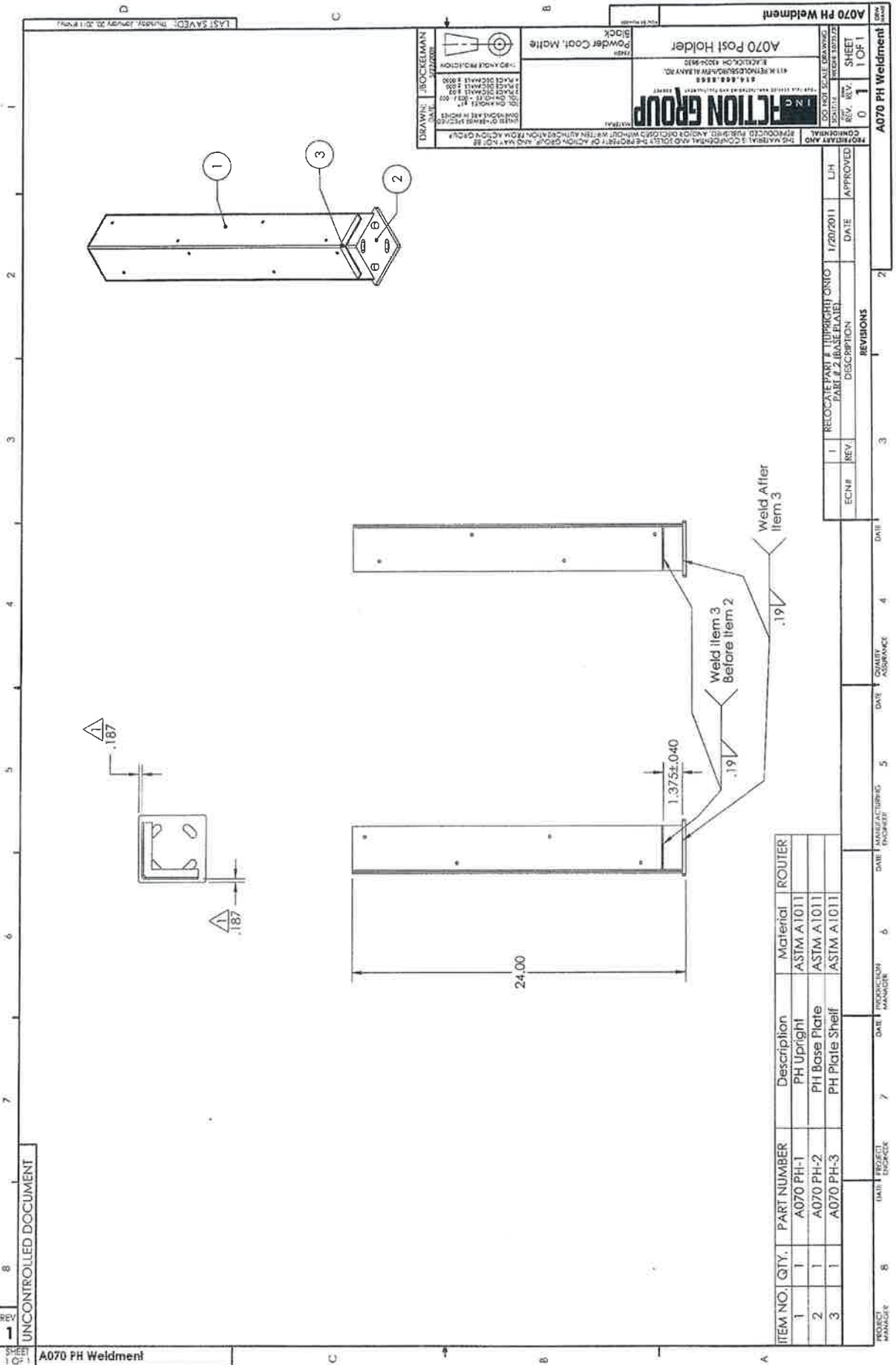


NEW GREEN BRIAR ANCHOR



REV 1
SHEET 1
UNCONTROLLED DOCUMENT

A070 PH Weldment

ACTION GROUP

4111 M. LOCKWOOD BLVD. #100
MILWAUKEE, WI 53212
TEL: 414.224.4400
FAX: 414.224.4401
WWW.ACTIONGROUP.COM

PROJECT AND SHEET INFORMATION
PROJECT: A070 PH WELDMENT
SHEET: 1 OF 1

DATE: 1/20/2011
APPROVED: L/H

REVISIONS

REV.	DESCRIPTION	DATE
1	RELOCATE PART # 1 UPRIGHT ONTO PART # 2 BASE PLATE	1/20/2011

DRAWN: BOCKEMAN
CHECKED: BOCKEMAN

Powder Coat, Matte

Block

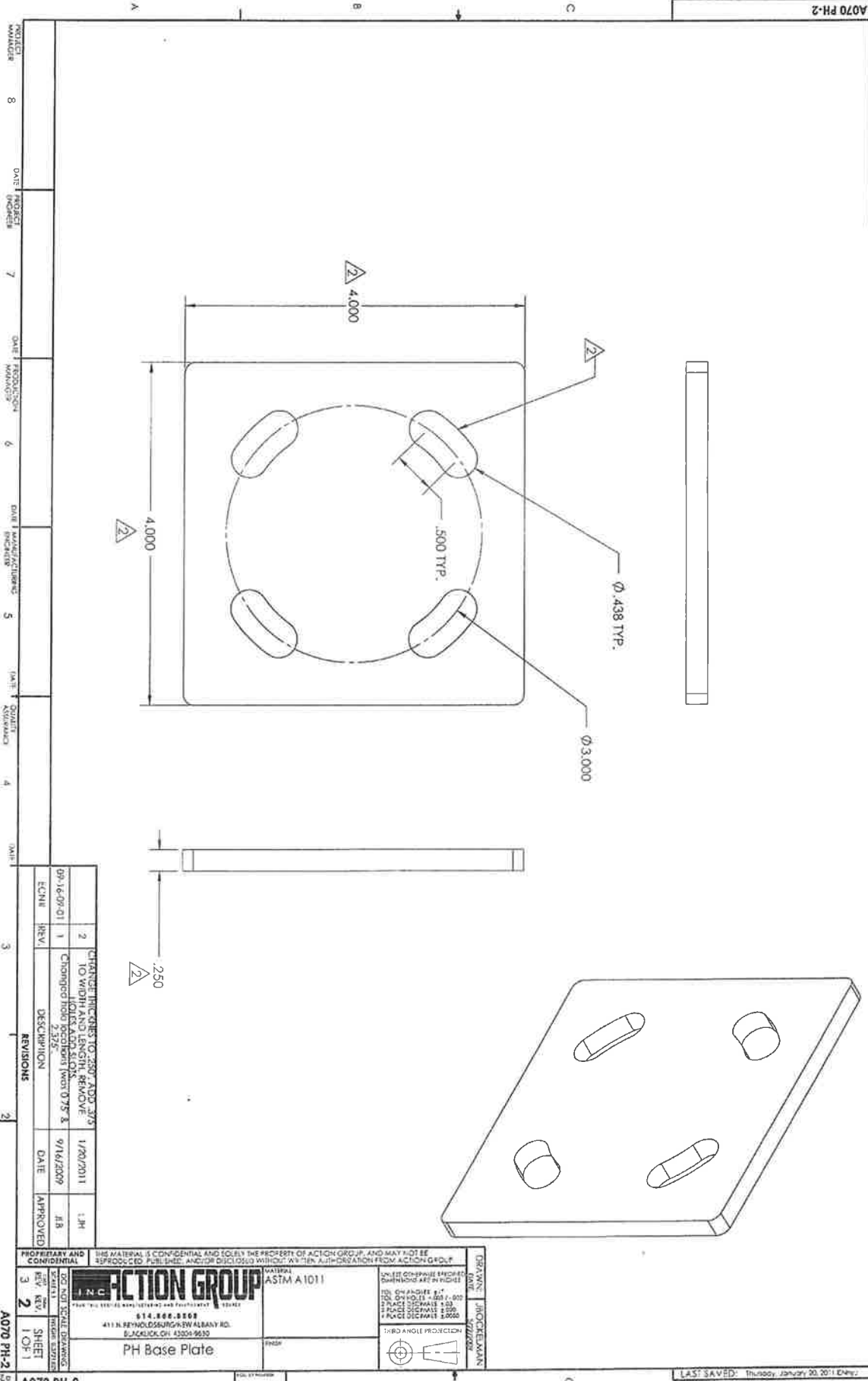
LAST SAVE: Thursday, January 20, 2011 8:11 PM

ITEM NO.	QTY.	PART NUMBER	Description	Material	ROUTER
1	1	A070 PH-1	PH Upright	ASTM A1011	
2	1	A070 PH-2	PH Base Plate	ASTM A1011	
3	1	A070 PH-3	PH Plate Shelf	ASTM A1011	

DATE	MANUFACTURING ENGINEER	DATE	QUALITY ASSURANCE	DATE	APPROVED

PROJECT MANAGER: [Blank] UNIT PROJECT ENGINEER: [Blank]

C:\AG\YALU\hdelree\A070 Post Holder\Co\A



REV.	DATE	APPROVED	DESCRIPTION
2	1/20/2011	L.H.	CHANGE THICKNESS TO .250" ADD .375" TO WIDTH AND LENGTH, REMOVE CHAMFERED HOLES, ADD .500" CHAMFER TO CORNERS
1	9/16/2009	J.R.	CHANGE HOLES FROM .075" R TO .125" R

PROPERTY AND CONFIDENTIAL	THIS MATERIAL IS CONFIDENTIAL AND SOLELY THE PROPERTY OF ACTION GROUP, AND MAY NOT BE REPRODUCED, PUBLISHED, AND/OR DISCLOSED WITHOUT WRITTEN AUTHORIZATION FROM ACTION GROUP.
SCALE: AS SHOWN	SCALE: AS SHOWN
DATE: 1/20/2011	DATE: 1/20/2011
APPROVED: L.H.	APPROVED: L.H.
REVISED BY: J.R.	REVISED BY: J.R.
REVISED DATE: 9/16/2009	REVISED DATE: 9/16/2009
DESCRIPTION: CHANGE THICKNESS TO .250" ADD .375" TO WIDTH AND LENGTH, REMOVE CHAMFERED HOLES, ADD .500" CHAMFER TO CORNERS	DESCRIPTION: CHANGE THICKNESS TO .250" ADD .375" TO WIDTH AND LENGTH, REMOVE CHAMFERED HOLES, ADD .500" CHAMFER TO CORNERS
REVISED BY: J.R.	REVISED BY: J.R.
REVISED DATE: 9/16/2009	REVISED DATE: 9/16/2009
DESCRIPTION: CHANGE HOLES FROM .075" R TO .125" R	DESCRIPTION: CHANGE HOLES FROM .075" R TO .125" R

ACTION GROUP
 MATERIAL: **ASTM A1011**
 FINISH: **FRESH**
 411 N. REYNOLDS BLVD. NEW ALBANY, NY 12054
 BLACKBROOK, OH 43004-9630
 TEL: 614.888.8188
 FAX: 614.888.8188
 WWW.ACTIONGROUP.COM

DRAWN: **JROCKEMAN**
 DATE: **1/20/2011**
 CHECKED: **JROCKEMAN**
 DATE: **1/20/2011**
 THIRD ANGLE PROJECTION