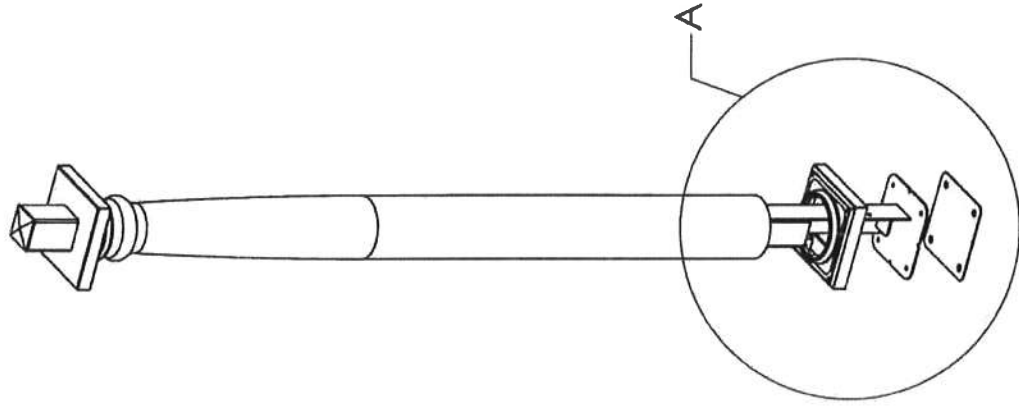


DETAIL A
SCALE 1 : 6



Shadetree Canopies			
NAME	DATE	DRAWN	
CHECKED		ENG. APPR.	
MFG. APPR.		Q.A.	
COMMENTS:			
DIMENSIONS ARE IN INCHES		DO NOT SCALE DRAWING	
TOLERANCES:	ANGULAR: MACH ±	BEND ±	
	TWO PLACE DECIMAL ±	THREE PLACE DECIMAL ±	
MATERIAL			
FINISH			
NEXT ASSY	APPLICATION		
USED ON			

PROPRIETARY AND CONFIDENTIAL
THE INFORMATION CONTAINED IN THIS DRAWING IS THE SOLE PROPERTY OF <INSERT COMPANY NAME HERE>. ANY REPRODUCTION IN PART OR AS A WHOLE WITHOUT THE WRITTEN PERMISSION OF <INSERT COMPANY NAME HERE> IS PROHIBITED.

SIZE	DWG. NO.	WEIGHT	SHEET 1 OF 1
A			

Column Mount Detail