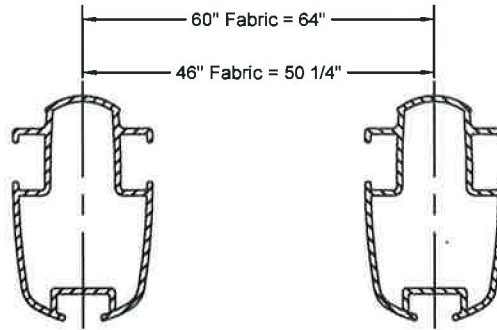


FABRIC - TRACK SPACING

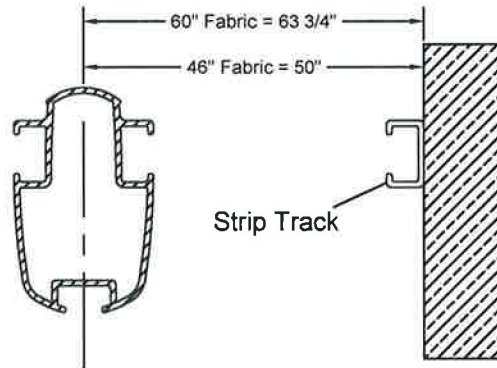
TRACK to TRACK

Center of track to center of track



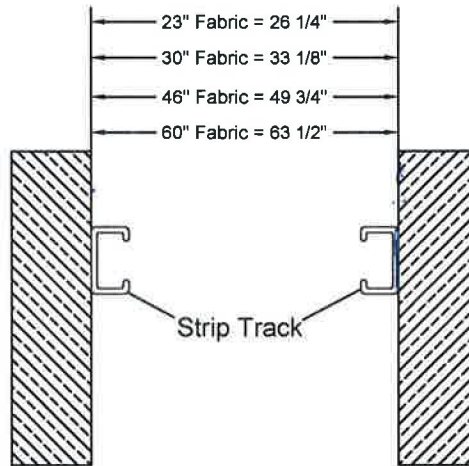
TRACK to BEAM

Center of track to inside of beam



BEAM to BEAM (flush mount)

Inside of beam to inside of beam



BEAM to BEAM (routed - in)

Inside of beam to inside of beam

