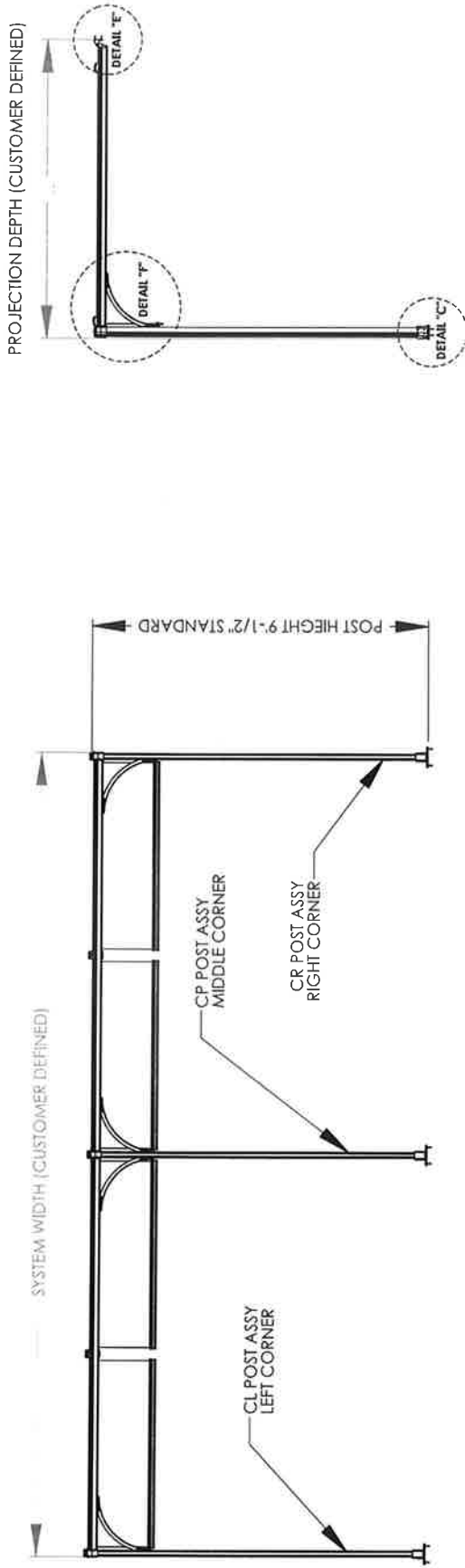
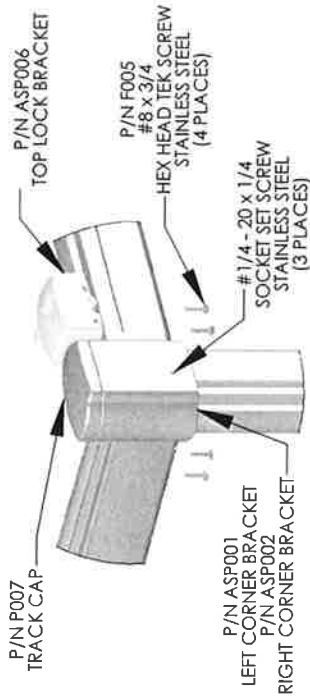


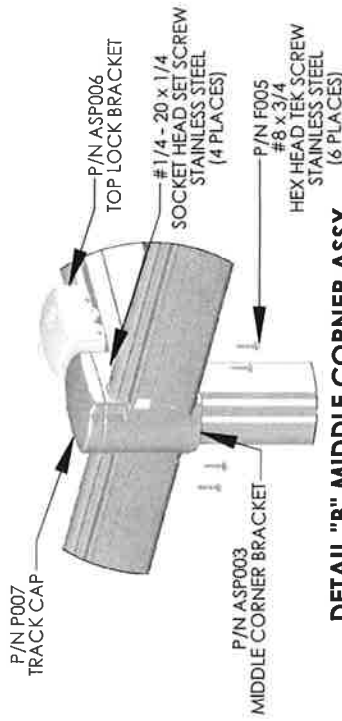
QTY.	PART NO.	DESCRIPTION
1	CL POST	POST ASSEMBLY
3	TRACKCPC CE	PROJ BEAM WITH EXT BKT
2	HEADCP	HEADER BEAM
1	CP POST	POST ASSEMBLY
4	CANOPY	CANOPY ASSEMBLY
2	TRACKCPC CM-CE	PROJ BEAM WITH MID BEAM & EXT BKTS
1	CR POST	POST ASSEMBLY
1	CARE KIT	CUSTOMER CARE KIT WITH SKYHOOK



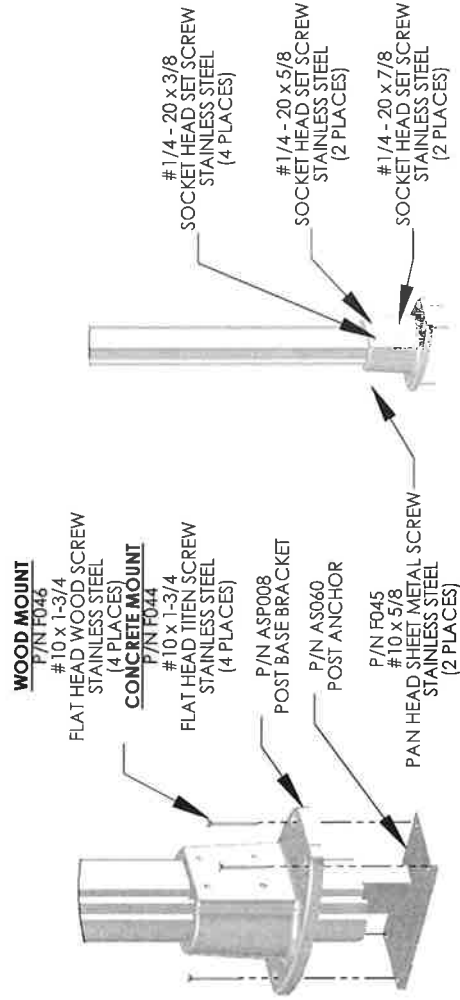
CAPRI ASSEMBLY DETAILS



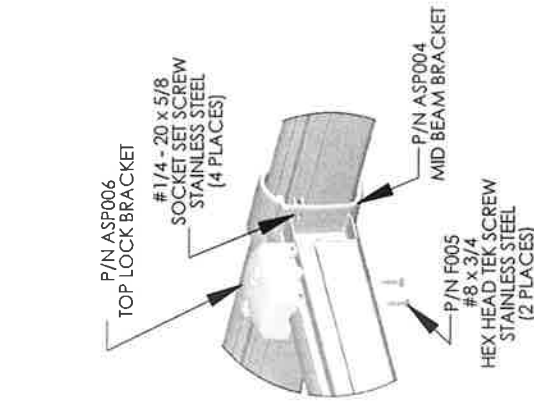
DETAIL "A" LEFT & RIGHT CORNER ASSY



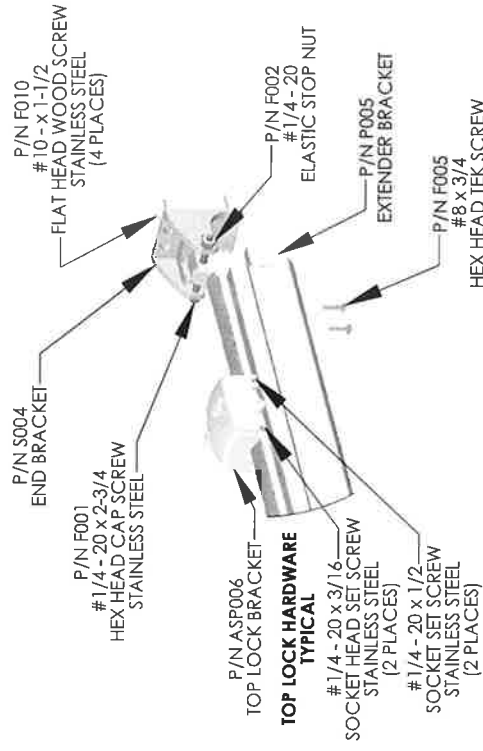
DETAIL "B" MIDDLE CORNER ASSY



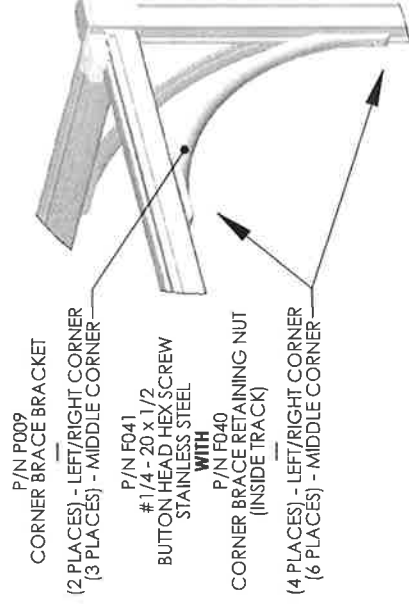
DETAIL "C" POST BASE ASSY



DETAIL "D" MID BEAM BRACKET ASSY



DETAIL "E" EXTENDER BRACKET ASSY



DETAIL "F" POST CORNER BRACE ASSY

CAPRI ASSEMBLY DETAILS