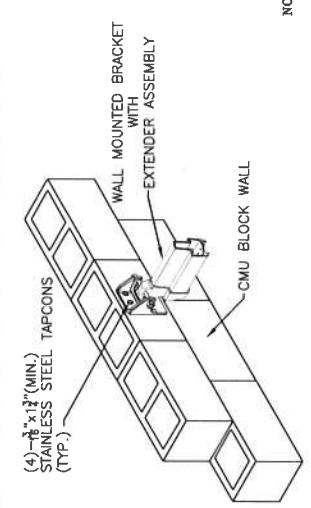
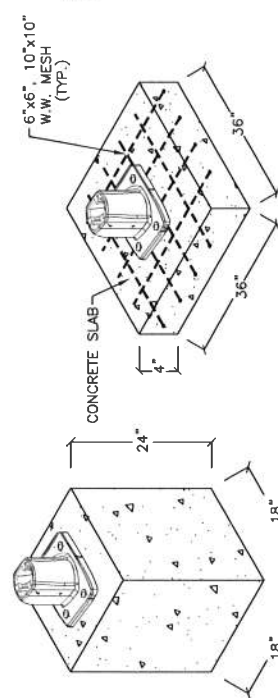


WOOD APPLICATION

NOTE: ATTACH A 2"x4" (MIN.) TO WOOD STUD WALL OR SOFFIT FRAMING, USING (MIN.) 1/2"x3" WOOD SCREWS WITH A (MIN.) 1/2" EMBEDMENT INTO FRAMING MEMBER. MINIMUM 2"x6" FASCIA REQUIRED. (BUILD UP IF NEEDED)



CONCRETE APPLICATION



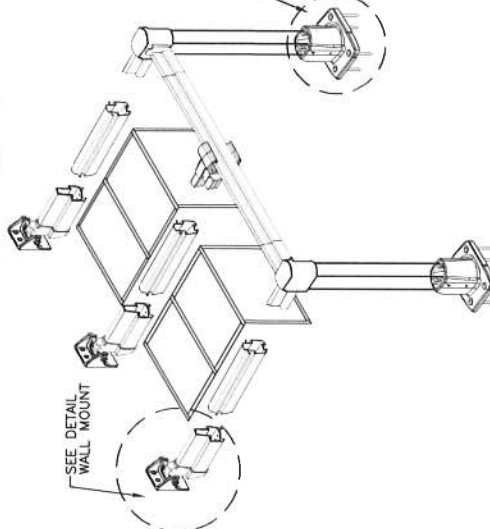
NOTE: THE CONCRETE MASS TO BE EQUAL TO (3-CUBIC FEET) OF CONCRETE.

CONCRETE FOOTING REQUIREMENTS

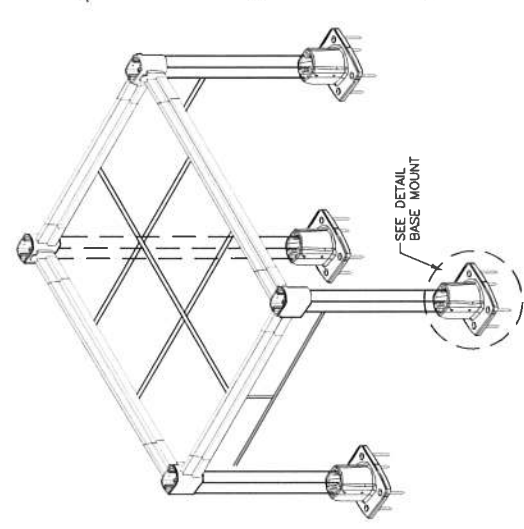
- NOTES:**
1. USE DENSE PLASTIC WEDGES FOR LEVELING PURPOSES.
 2. USE A MINIMUM 1/4" DIAMETER ANCHORS (UNLESS OTHERWISE NOTED).
 3. ALL CONCRETE SHALL BE A MINIMUM OF 2500 PSI 28 DAY COMPRESSIVE STRENGTH.
 4. ATTACH ALUMINUM POST TO ALUMINUM RISER WITH MINIMUM (2) SELF TAPPING METAL SCREWS (PROVIDED) INTO CAPRI POST AND BASE.
 5. ALL COMPONENTS OF THIS SYSTEM MEETS OR EXCEEDS THE REQUIREMENTS OF THE 2001 FLORIDA BUILDING CODE.

DISCLAIMER:

WHEN EXTENDED, EACH SHADETREE CANOPY SECTION IS HELD IN PLACE BY A PATENTED "WIND RELEASE" MECHANISM. IF LEFT UNATTENDED AND HEAVY WINDS COME UP, THE MECHANISM RELEASES THE AWNING, ALLOWING IT TO MOVE FREELY IN THE TRACKS TO REDUCE RISK OF DAMAGE. DO NOT OVERTIGHTEN THE ADJUSTMENT SCREWS SO THAT THE WIND RELEASE MECHANISM DOES NOT RELEASE. THE USER SHALL BE RESPONSIBLE FOR THE PROPER INSTALLATION AND MAINTENANCE OF THE SHADETREE CANOPY FROM THE TRACK. IN THE EVENT OF PROJECTED WINDS EXCEEDING 70 MPH THE USER SHALL REMOVE THE SHADETREE CANOPY FROM FAILURE BY USER TO ADHERE TO THE ABOVE SHALL VOID THE SHADETREE WARRANTY AND MAY RESULT IN DAMAGE TO THE SHADETREE SYSTEM AND/OR STRUCTURE DAMAGE. SHADETREE SYSTEMS WILL NOT BE LIABLE FOR ANY DAMAGE TO THIS MISUSE.



CAPRI (ALUMINUM)



CAPRI II (ALUMINUM)

© 2004 ShadeTree Systems, Inc. All Rights Reserved.

SHADETREE CAPRI CANOPIES
TYPICAL INSTALLATION PLAN
PALM BEACH COUNTY
FLORIDA

SCALE

REVIEWS
DATE: OCTOBER 2004
DRAWN BY: [blank]
CHECKED BY: [blank]

SHEET
1
PROJECT NO.